

PFA PRODUCTS GASKET & PACKING

PFA TUBE & PIPE

PFA ROD & BAND

PFA FLARE LOCK-FITTING

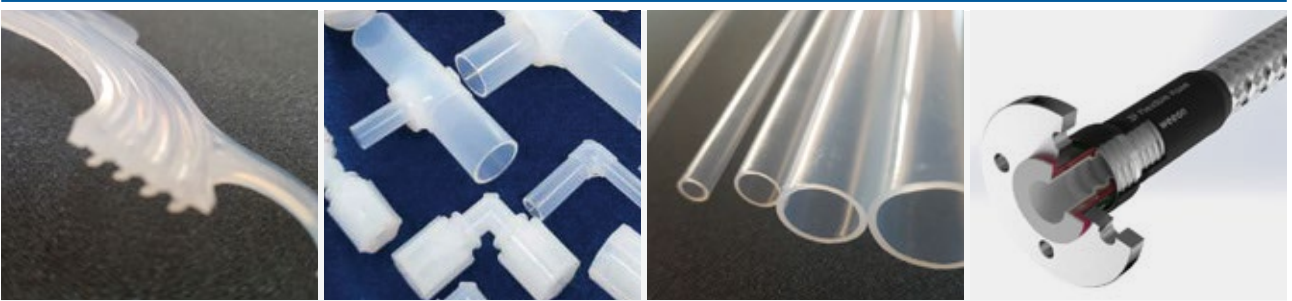
PFA WELD FITTING

3F FLEXIBLE HOSE

GASKET



PFA PRODUCTS & GASKET



Introduction

위온은 정밀화학, 반도체, 석유화학, 의약품 산업에서 불소수지를 사용하는 다양한 구성요소 개발의 개척자였습니다.

A Weeon PFA products are well suited for any corrosive or high purity application. A Weeon PFA products are available in various size upon standard and request.

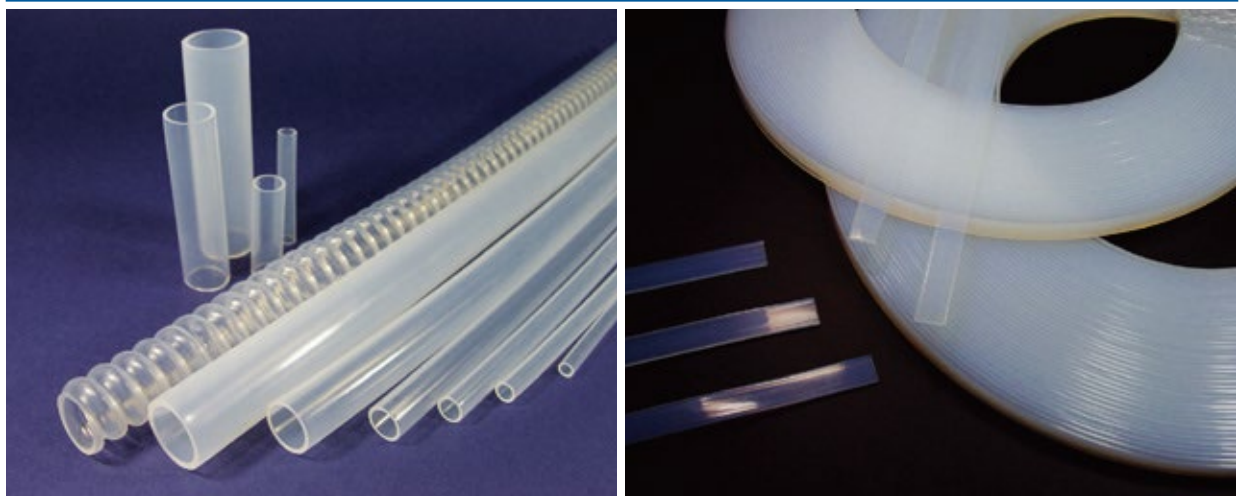
위온의 PFA 제품은 어떠한 부식성 · 고순도 영역에도 적용되는 제품입니다.
위온의 PFA 제품은 표준치수로 제작되며, 고객의 요구에 따라 다양한 치수로도 제공됩니다.

Features

100% VIRGIN PFA resin used on all products.(ultra high purity PFA resin)
Meets the semiconductor industry's ultra high purity chemical requirement.

모든 제품은 순수 PFA(고순도 PFA)로 생산됩니다.
고순도 약품조건의 반도체산업에 만족하는 제품 실현.

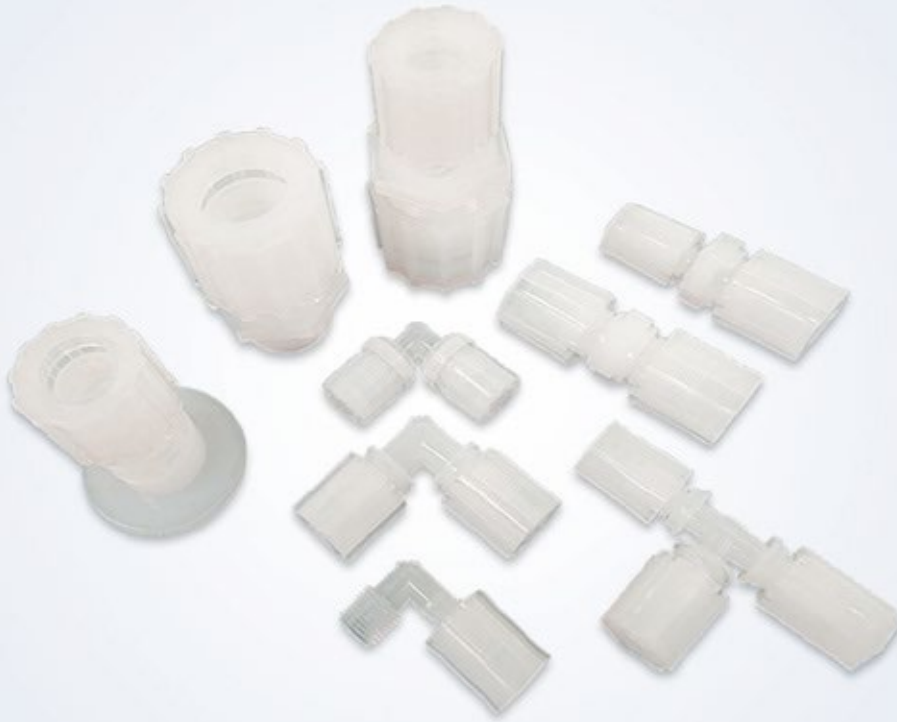
PFA TUBE / PIPE / ROD / TAPE



Dimension Table

PRODUCTS	SIZE	O.D	O.D TOLERANCE	WALL THK	LENGTH TOLERANCE	LENGTH(M)	비고
PFA ROD	Ø 3mm	3	± 0.05mm		2%	50/100	
	Ø 4mm	4	± 0.05mm			50/100	
	Ø 5mm	5	± 0.05mm			50/100	
PFA TAPE	W14.3 * 2.3T	W14.3 * 2.3T	± 0.05mm		2%	50/100	
	W14.7 * 2.5T	W14.7 * 2.5T	± 0.05mm			50/100	
PFA TUBE	1/4"	6.35	± 0.1mm	1,194	2%	100	OD. 기준하여 두께는 고객요구에 따라 생산 가능
	3/8"	9.53	± 0.1mm	1,574		100	
	1/2"	12.70	± 0.12mm	1,574		100	
	3/4"	19.05	± 0.12mm	1,574		100	
	1"	25.40	± 0.2mm	1,574		100	
	1-1/2"	38.00	± 0.25mm	1,800		100	
	1-1/2"	40.00	± 0.25mm	2,184		100	
	2"	50.50	± 0.4mm	2,590		50	
	3"	81.00	± 0.5mm	3,000		50	
	4"	104.00	± 1.5mm	3,000		50	
	Ø 6mm	6	± 0.1mm	1		100	
	Ø 8mm	8	± 0.1mm	1		100	
	Ø 10mm	10	± 0.12mm	1		100	
	Ø 12mm	12	± 0.12mm	1		100	
	Ø 14mm	14	± 0.12mm	1		100	
	PFA PIPE	1/2"	21.34	± 0.12mm		2,76	1%
3/4"		26.67	± 0.25mm	2,87	3		
1"		33.40	± 0.3mm	3,37	3		
1-1/2"		50.50	± 0.5mm	3,37	3		
		60.30	± 0.5mm	3,90	3		
LEVEL PIPE		25.50	±0.25mm	2,25	3		

PFA FLARE LOCK-FITTING

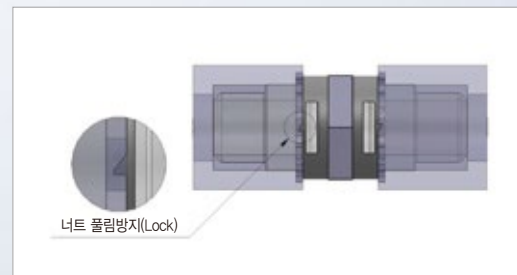


Introduction

확관락-피팅이란?

This product has added a nut loosening prevention function.

당사에서 제공하는 기존 용착 피팅의 장점에 너트 풀림 방지(Lock) 기능을 추가한 제품입니다.



Features

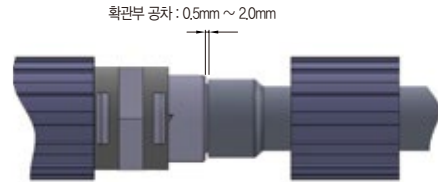
1. It is safe with anti-loose function.
2. Eye marking is applicable.
3. It can be used without a torque wrench.
4. When replacing existing pipes, they can be used in compatibility with third-party products.
 - Flare type compatible.

1. 풀림방지 기능이 있어 누수 발생에 대하여 안전합니다.
2. 아이마킹(눈관리) 가능합니다
3. 토크렌치 없이 사용 가능합니다.
4. 기존 배관 교체 작업시 타사제품과 호환하여 사용가능 합니다.
 - Flare type 호환 사용가능.

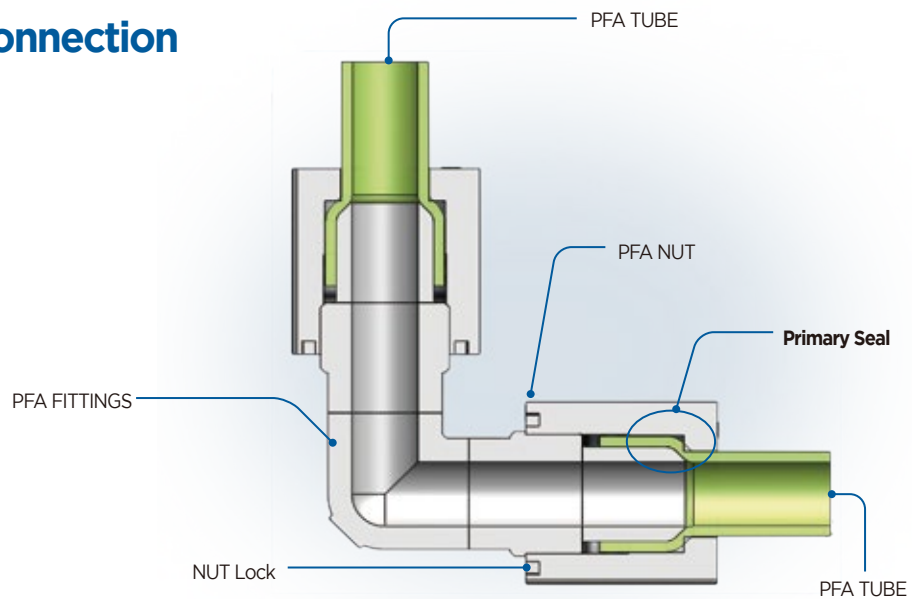
PFA FlareLock-Fitting Operation Standard

PFA Tube와 Fitting 삽입

- Fitting의 확관부와 Tube의 확관 부위가 밀착 되도록 삽입한다.
- Tube의 끝과 Fitting의 확관부 공차 → 0.5mm ~ 2.0mm.



Tube fitting connection



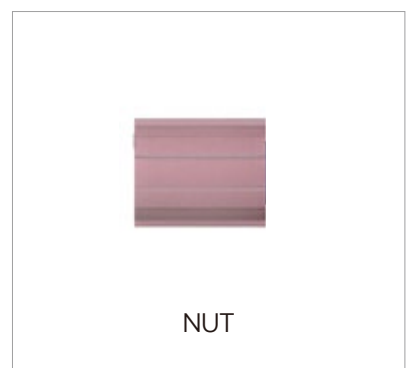
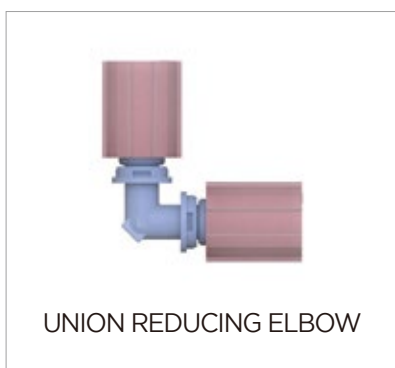
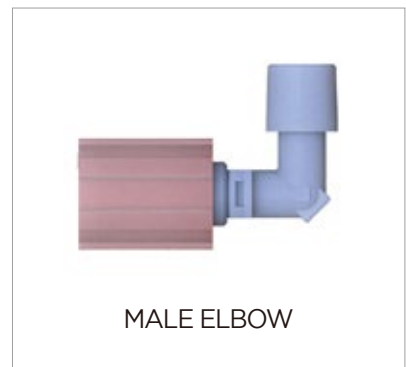
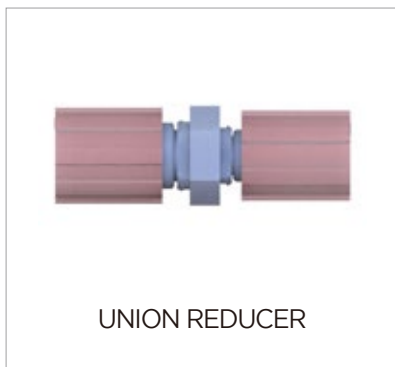
NUT 체결 토크값

The table below is based on the torque values for torque wrench.

아래 표의 Fitting의 토크값은 토크렌지로 체결작업을 할 경우 참고 바랍니다.

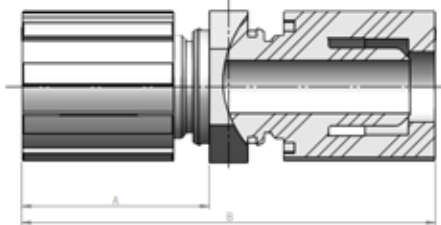
PRODUCTS	MIN (N-M)	MAX (N-M)	기준값(N-M)	파괴값(N-M)
UE-04	0.4	2.3	0.5	2.4
UE-06	0.9	2.7	0.9	2.8
UE-08	1.2	4.9	1.3	5
UE-12	1.6	5.4	1.6	5.5
UE-16	3.4	14.9	3.4	15
UT-04	0.5	1.6	0.5	1.7
UT-06	0.9	2.3	0.9	2.4
UT-08	1.2	4.9	1.3	5
UT-12	1.6	4.5	1.6	4.6
UT-16	3.4	14.9	3.4	15
SU-04	0.4	2.3	0.5	2.4
SU-06	0.9	2.7	0.9	2.8
SU-08	1.2	4.9	0.9	2.8
SU-12	1.6	5.4	1.6	5
SU-16	3.4	14.9	3.4	15

PFA FLARE LOCK-FITTING & DIMENSION SHEET



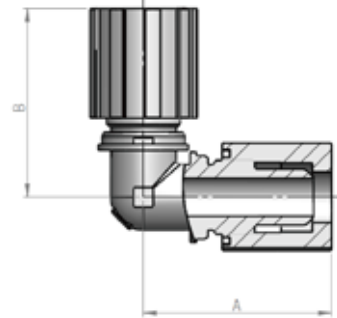
PFA FLARE LOCK-FITTING & DIMENSION SHEET

STRAIGHT UNION



PART No.	TUBE SIZE	A (mm)	B (mm)
SU-04	1/4"	31	69.1
SU-06	3/8"	32	71.1
SU-08	1/2"	34.5	76.1
SU-12	3/4"	45	97.1
SU-16	1"	50	107.1

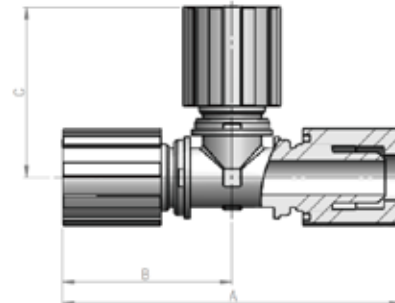
UNION ELBOW



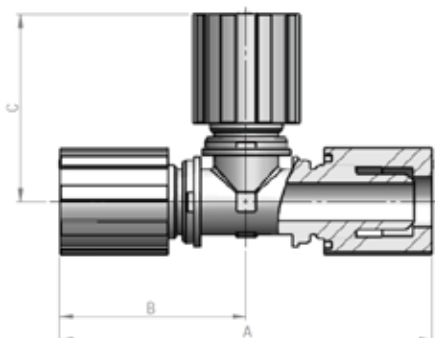
PART No.	TUBE SIZE	A (mm)	B (mm)
UE-04	1/4"	43	43
UE-06	3/8"	46.5	46.5
UE-08	1/2"	48	48
UE-12	3/4"	63	63
UE-16	1"	73	73

UNION TEE

PART No.	TUBE SIZE	A (mm)	B (mm)
UT-04	1/4"	86	43
UT-06	3/8"	93	46.5
UT-08	1/2"	96	48
UT-12	3/4"	126	63
UT-16	1"	146	73



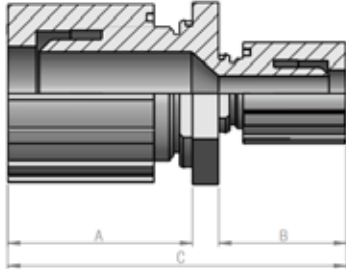
UNION REDUCING TEE



PART No.	TUBE SIZE	A (mm)	B (mm)
URT-160416	1 x 1/4" x 1"	146	73
URT-160616	1 x 3/8" x 1"	146	73
URT-160816	1 x 1/2" x 1"	146	73
URT-161216	1 x 3/4" x 1"	146	73
URT-120812	3/4" x 1/2" x 3/4"	126	63
URT-120612	3/4" x 3/8" x 3/4"	126	63
URT-120412	3/4" x 1/4" x 3/4"	126	63
URT-080608	1/2" x 3/8" x 1/2"	96	48
URT-080408	1/2" x 1/4" x 1/2"	96	48
URT-060406	3/8" x 1/4" x 3/8"	93	46.5

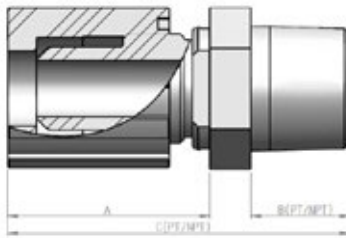
PFA FLARE LOCK-FITTING & DIMENSION SHEET

UNION REDUCER



PART No.	TUBE SIZE	A (mm)	B (mm)	C (mm)
UR-0604	3/8" x 1/4"	32	31	70.1
UR-0804	1/2" x 1/4"	34.5	31	72.6
UR-0804	1/2" x 3/8"	34.5	32	73.6
UR-1204	3/4" x 1/4"	45	31	83.1
UR-1206	3/4" x 3/8"	45	33	85
UR-1208	3/4" x 1/2"	45	34.5	86.6
UR-1604	1" x 1/4"	50	31	88.1
UR-1606	1" x 3/8"	50	33	90
UR-1608	1" x 1/2"	50	34.5	91.6
UR-1612	1" x 3/4"	50	45	102.1

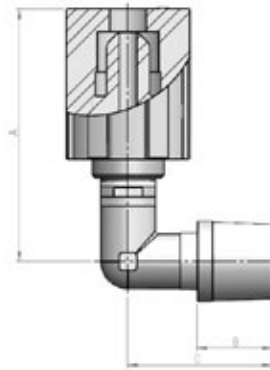
MALE CONNECTOR



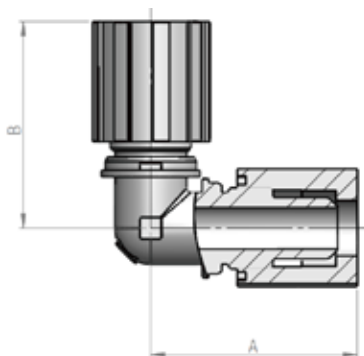
PART No.	TUBE SIZE	A (mm)	B (PT)	B (NPT)	C (PT)	C (NPT)
MC-0410(P,N)	1/4"	31	13	14.5	51.1	52.6
MC-0612(P,N)	3/8"	32	13	15	52.1	54.1
MC-0615(P,N)	3/8"	32	17	18	56.1	57.1
MC-0815(P,N)	1/2"	34.5	17	18	58.6	59.6
MC-1220(P,N)	3/4"	45	19	18	71.1	70.1
MC-1625(P,N)	1"	50	22	22	79.1	79.1

MALE ELBOW

PART No.	TUBE SIZE	A (mm)	B (PT)	B (NPT)	C (mm)
ME-0410(P,N)	1/4"	43		13	25
ME-0612(P,N)	3/8"	44		15	27
ME-0815(P,N)	1/2"	47		18	35
ME-1220(P,N)	3/4"	57		20	44
ME-1625(P,N)	1"	69		25	54



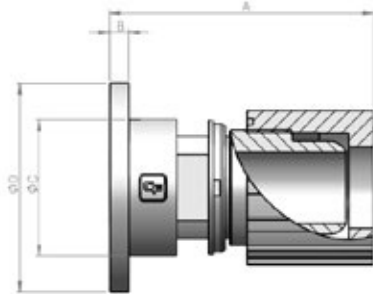
UNION REDUCING ELBOW



PART No.	TUBE SIZE	A (mm)	B (mm)
URE-1604	1 x 1/4"	73	56
URE-1606	1 x 3/8"	73	58
URE-1608	1 x 1/2"	73	60
URE-1612	1 x 3/4"	73	68
URE-1208	3/4" x 1/2"	63	56
URE-1206	3/4" x 3/8"	63	55
URE-1204	3/4" x 1/4"	63	53
URT-0806	1/2" x 3/8"	48	48
URT-0804	1/2" x 1/4"	48	46
URT-0604	3/8" x 1/4"	46.5	45

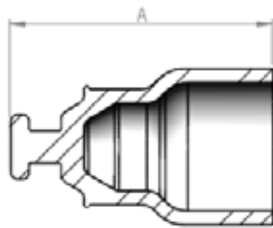
PFA FLARE LOCK-FITTING & DIMENSION SHEET

UNION FLANGE ADAPTOR



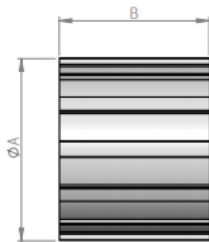
PART No.	TUBE SIZE	A (mm)	B (mm)	ΦC (mm)	ΦD (mm)
UFA-1508	1/2" x 15A	64.7	5	24	48
UFA-2012	3/4" x 20A	76.5	5	30.5	54
UFA-2516	1" x 25A	81.5	5	42.5	65

END CAP



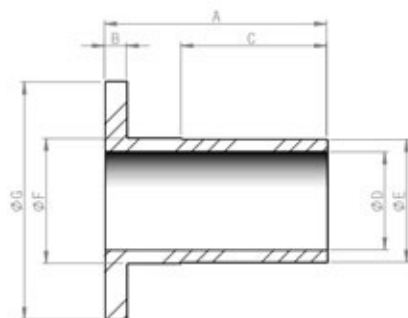
PART No.	TUBE SIZE	ΦD (mm)
UEC-04	1/4"	21.9
UEC-06	3/8"	24.7
UEC-08	1/2"	28.7
UEC-12	3/4"	32.2
UEC-16	1"	37.5

UNION NUT



PART No.	TUBE SIZE	ΦA (mm)	B (mm)
UN-04	1/4"	21.3	25.8
UN-06	3/8"	22.7	25.4
UN-08	1/2"	27.6	27.7
UN-12	3/4"	36	32
UN-16	1"	48	39.6

PIPE FLANGE ADAPTOR



PART No.	PIPE SIZE	A (mm)	B (mm)	C (mm)	ΦD (mm)	ΦE (mm)	ΦF (mm)	ΦG (mm)
WFA-20A	20A	60	5	40	20.9	26.6	72.2	54
WFA-25A	25A	60	5	40	26.6	33.4	34	65

PFA WELD FITTING



Introduction

This product is applied to the **PFA BUTT WELDING**.

PFA 맞대기 용착(BUTT WELDING)작업에 적용되는 제품입니다.

Features

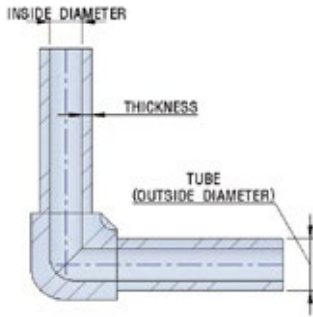
1. Constructable in a small space and simple piping construction.
2. Excellent flowability of chemicals in piping.
3. No assemblies to ensure structural safety

1. 좁은 공간에 시공가능하며 간결한 배관구성 가능.
2. 배관 내부 약품의 흐름성 우수함.
3. 조립 부분이 없어 구조적 안전성 확보 가능.



PFA WELD FITTING & DIMENSION SHEET

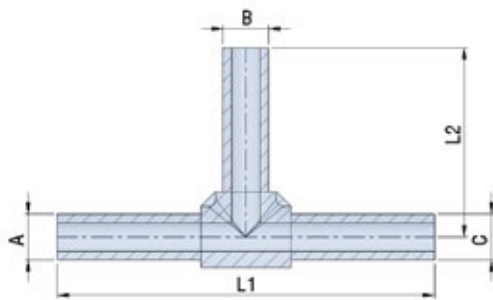
TUBE CONNECTION DIMENSION



unit : mm

PART No.	Outside Diameter	Inside Diameter	Thickness
1/4"	6.35	3.95	1.2
3/8"	9.53	6.33	1.6
1/2"	12.70	9.50	1.6
3/4"	19.05	15.85	1.6
1"	25.40	22.20	1.6
1-1/4"	31.80	28.20	1.8
1-1/2"	38.10	33.73	2.18

TEE



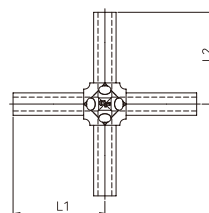
unit : mm

PART No.	TUBE			LENGTH	
	A	B	C	L1	L2
WT-04	1/4"	1/4"	1/4"	52	26.0
WT-06	3/8"	3/8"	3/8"	73	36.5
WT-08	1/2"	1/2"	1/2"	79	39.5
WT-12	3/4"	3/4"	3/4"	99	49.5
WT-16	1"	1"	1"	107	53.5
WT-20	1-1/4"	1-1/4"	1-1/4"	145	74.5
WT-24	1-1/2"	1-1/2"	1-1/2"	184	92.0
WT-0604	3/84"	1/44"	3/84"	73	36.5
WT-0804	1/2"	1/4"	1/2"	79	30.5
WT-0806	1/2"	3/8"	1/2"	79	39.5
WT-1204	3/4"	1/4"	3/4"	99	35.0
WT-1206	3/4"	3/8"	3/4"	99	49.0
WT-1208	3/4"	1/2"	3/4"	99	39.5
WT-1604	1"	1/4"	1"	107	37.5
WT-1606	1"	3/8"	1"	108	47.0
WT-1608	1"	1/2"	1"	107	41.5
WT-1612	1"	3/4"	1"	107	46.5
WT-2012	1-1/4"	3/4"	1-1/4"	149	55.5
WT-2016	1-1/4"	1"	1-1/4"	151	58.0
WT-2412	1-1/2"	3/4"	1-1/2"	184	72.5
WT-2416	1-1/2"	1"	1-1/2"	184	65.0
WT-2420	1-1/2"	1-1/4"	1-1/2"	184	82.0
WT-6M	6mm	6mm	6mm	56	22.0
WT-8M	8mm	8mm	8mm	64	32.0
WT-8M6M	8mm	8mm	8mm	59	26.0
WT-12M	12mm	12mm	12mm	78	39.0

CROSS TEE

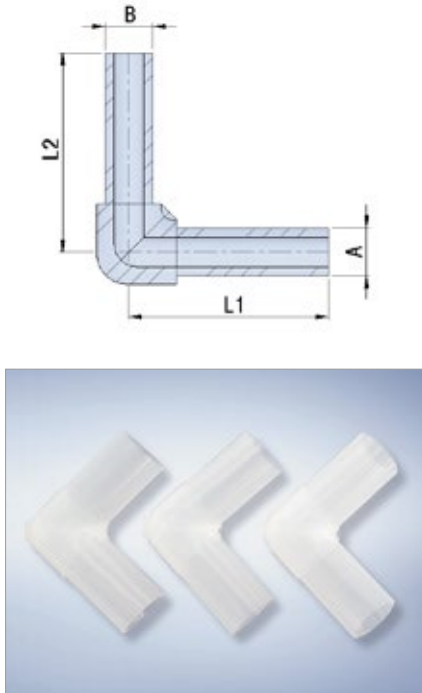
unit : mm

PART No.	TUBE		LENGTH	
	A	B	L1	L2
CT-0404	1/4"	1/4"	26	26



PFA WELD FITTING & DIMENSION SHEET

ELBOW



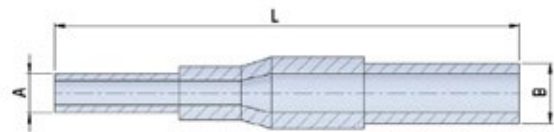
unit : mm

PART No.	TUBE		LENGTH	
	A	B	L1	L2
WE-04	1/4"	1/4"	26,0	26,0
WE-06	3/8"	3/8"	36,5	36,5
WE-08	1/2"	1/2"	39,5	39,5
WE-12	3/4"	3/4"	44,5	44,5
WE-16	1"	1"	53,5	53,5
WE-20	1-1/4"	1-1/4"	74,5	74,5
WE-24	1-1/2"	1-1/2"	92,0	92,0
WE-0604	3/8"	1/4"	27,5	37,0
WE-0804	1/2"	1/4"	29,5	39,5
WE-0806	1/2"	3/8"	39,5	39,5
WE-1204	3/4"	1/4"	35,5	44,5
WE-1208	3/4"	1/2"	44,0	39,0
WE-1604	1"	1/4"	38,0	52,5
WE-1606	1"	3/8"	48,0	52,5
WE-1608	1"	1/2"	53,5	39,0
WE-1612	1"	3/4"	53,0	46,5
WE-2412	1-1/2"	3/4"	64,5	92,0
WE-2416	1-1/2"	1"	73,0	92,0
WE-2420	1-1/2"	1-1/4"	82,5	92,0
WE-8M	8mm	8mm	32,5	32,5
WE-12M	12mm	12mm	39,5	39,5

REDUCER

unit : mm

PART No.	TUBE		LENGTH
	A	B	L1
WR-0604	3/8"	1/4"	75,0
WR-0804	1/2"	1/4"	75,0
WR-0806	1/2"	3/8"	78,5
WR-1204	3/4"	1/4"	75,5
WR-1206	3/4"	3/8"	78,5
WR-1208	3/4"	1/2"	284,5
WR-1604	1"	1/4"	85,0
WR-1606	1"	3/8"	88,0
WR-1608	1"	1/2"	91,5
WR-1612	1"	3/4"	97,0
WR-2012	1-1/4"	3/4"	124,5
WR-2016	1-1/4"	1"	135,5
WR-2412	1-1/2"	3/4"	137,5
WR-2416	1-1/2"	1"	149,0
WR-2420	1-1/2"	1-1/4"	155,0
WR-8M6M	8mm	6mm	60,0
WR-12M8M	12mm	8mm	69,0



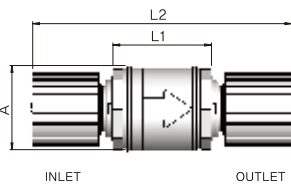
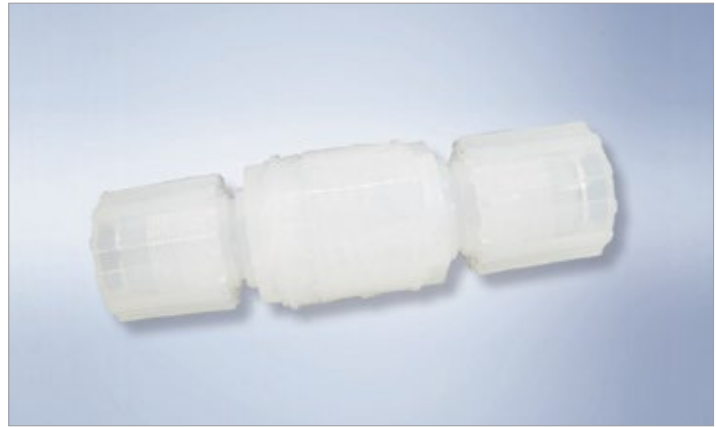
Accessory

PFA Check Valve

This is a backflow prevention valve.
NOT USING O-RING

PFA CHECK VALVE는 역류방지 밸브 입니다.
O-RING 이 없는 제품입니다.

- * PRESSURE RANGE : 90Kpa(7.03kgf/cm²)
- * OPENING PRESSURE : MIN 6.9Kpa(0.07kgf/cm²)
- * SEALING PRESSURE CLOSE : MIN 20.7Kpa(0.21kgf/cm²)
- * TEMPERATURE RANGE : - 100°C
- * Apply high purity PFA & PTFE



PART No.	Cv	Connction		Dimensions			Nut Type
		Inlet	Outlet	L1	L2	A	
CFCV-08	4.0	1/2"	1/2"	48	109	41	Flare
CFCV-12	4.0	3/4"	3/4"	48	116	41	Flare

PFA Stopcock Valve

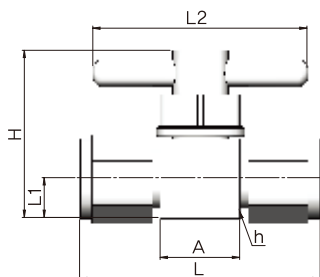
Connect to the tube with a one-touch perpendicular structure.
This valve is for sampling inspection and fluid direction change.

- * PRESSURE RANGE : -5kgf/cm²)
- * TEMPERATURE RANGE : - 70°C
- * Apply high purity PFA & PTFE



PART No.	Tube Size
CFSCV-04	1/4" * 1/4"
CFSCV-04T	1/4" * 1/4" * 1/4"
CFSCV-06	3/8" * 3/8"

PTFE BALL VALVE



PART No.	Tube Size	Orifice	A	L	H	L1	L2	h
CFBV-04	1/4"	4	25.4	68.6	54.5	12.5	68	25
CFBV-06	3/8"	6	25.2	70.8	54.6	12.6	69.4	25.2
CFBV-08	1/2"	8	32	97	71	16	70	32
CFBV-12	3/4"	12	36	109	75.7	18	97	36
CFBV-16	1"	20	45.5	120	84.7	22.6	100	45.2

Accessory

PFA SPRAY GUN (DI & Nitrogen)

Ergonomic design makes it easy to use.
The ring structure that is fixed to the facility has been improved.

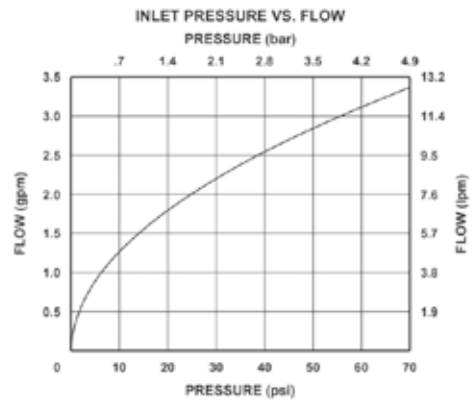
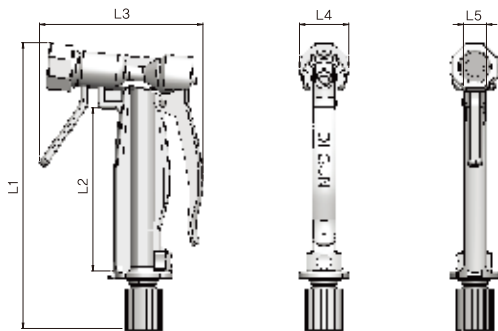
- * PRESSURE RANGE : 0 -5.5kgf/cm²
- * TEMPERATURE RANGE : -90°C
- * Apply high purity PFA



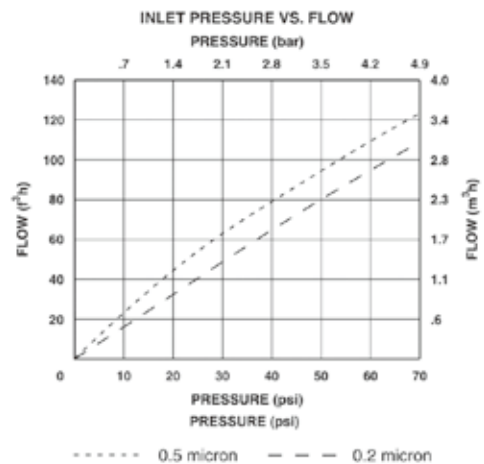
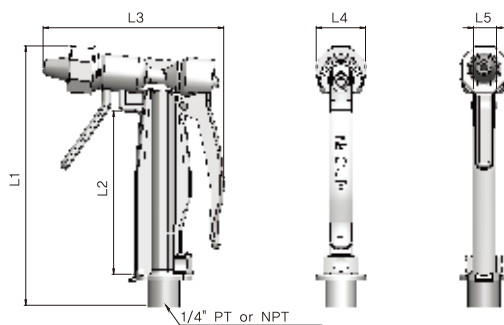
PART No.	Size	L1	L2	L3	L4	L5	Nut Type
CFSG-06	3/8"	170	98	96	30	14	Flare
CFSG-04	1/4"	170	98	96	30	14	FNPT

※ N2 Gun은 DI Gun과 동일합니다. 단, Nozzle부만 PTFE재질입니다.

PFA DI SPRAY GUN



PFA Nitrogen SPRAY GUN



Accessory

Union Torque Wrenches



UNION NUT TORQUE WRENCH
- TORQUE WRENCH HEAD DETACHABLE TYPE

PART No.	Size
CFTW-04	1/4"
CFTW-06	3/8"
CFTW-08	1/2"
CFTW-12	3/4"
CFTW-16	1"

Union NUT JIG



UNION NUT WRENCH

PART No.	Size
CFNJ-04	1/4"
CFNJ-06	3/8"
CFNJ-08	1/2"
CFNJ-12	3/4"
CFNJ-16	1"

FLARE JIG

Dedicated extension jig for connection work.
PFA TUBE & FITTING 연결작업을 위한 전용 확장지그.



PFA PURE BONDING M/C



PFA PURE BONDING M/C



FLARE M/C



FLARE M/C

3F FLEXIBLE HOSE

3F FLEXIBLE HOSE - ERC

SPEC

N-PTFE(PFA) + PE TUBE + SUS WIRE + PVC(EPDM) PROTETION TUBE 양끝단 꺾임방지 소재 내장

PTFE 내약품서 및 내열서,내크리이프 성질을 개선한 N-PTFE TUBE를 적용하여 기존 제품보다 수명을 연장하였습니다.

약품 TANKLORRY, CONTAINER 등 적용/사용을 목적으로 개발되었습니다.



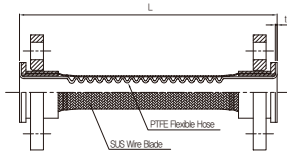
3F

Flexible Hose Type

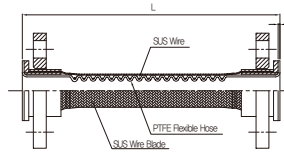
Pliable Hose



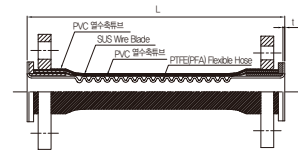
3F FLEXIBLE HOSE



3F FLEXIBLE HOSE-SS



3F FLEXIBLE HOSE-ERC



Fitting End Connections



Using Condition (Pressure & Temperature)

MODEL / TEMP'	PLIABLE HOSE			3F FLEXIBLE HOSE			3F FLEXIBLE HOSE-SS			3F FLEXIBLE HOSE-ERC		
	25°C	50°C	100°C	25°C	50°C	100°C	25°C	50°C	100°C	25°C	50°C	100°C
3/4"(20A)	7	6	4	7	6	4	16	16	15	8	8	5
1" (25A)	6	5	3	6	5	3	16	15	14	8	8	5
1 1/2"(40A)	6	5	3	6	5	3	14	14	11	7	6	4
2" (50A)	5	4	2	5	4	2	13	12	10	7	6	4
2 1/2"(65A)				5	4	2	10	10	9	-	-	-
3" (80A)				4	3	2	8	8	7	-	-	-
4"(100A)				4	3	2	7	7	6	-	-	-
6"(150A)				4	3	2	7	7	6	-	-	-

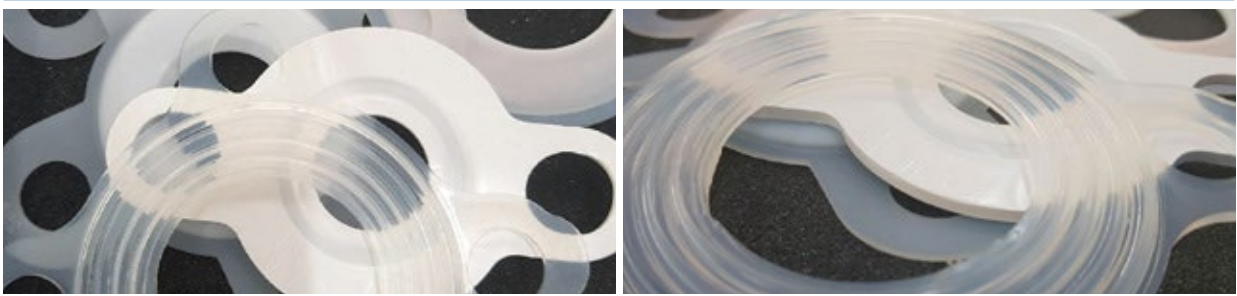
Dimension Table

unit : mm

Size ANSI/JIS	LENGTH (L)		ID (Ø)		THICKNESS (T)			Minimum radius.(mm)
	Maximum	Tolerance	PFA	PTFE	PFA	PTFE	Tolerance	
1/2"(15A)	10000		9,7 or 16	-	1,5			80
3/4"(20A)	10000		16 or 22	25	1,5	2,5		100
1"(25A)	10000		22	28	1,5	2,5		120
1-1/2"(40A)	10000		48	37	1,5	2,5		200
2"(50A)	10000	± 3,0	48	50	1,5	2,5	± 5,0%	300
2-1/2"(65A)	5500			68	-	3		350
3"(80A)	5500			73	-	3		400
4"(100A)	2500			93	-	3		500
6"(150A)	2500			143	-	3,5		800

Materials * PFA STANDARD CODE : ASTM D3307 / * PTFE STANDARD CODE : ASTM D4894

GASKET



PTFE GASKET & NEW PTFE GASKET



These Gaskets are used in all sorts of chemical lines, for its superior quality of thermal resistance and chemical resistance.

And these are manufactured by processing pure PTFE.

- **Material : PTFE**

우수한 내열성과 내약품성으로 각종 화학 약품을 라인에 사용됨.
순수PTFE를 가공하여 생산하는 제품

NEW PTFE GASKET have thermal and chemical resistance, which can expect long-life than existing PTFE by upgrading its creep(cold flow) resistance.

- **Material : New PTFE**

PTFE 내열성 및 내약품성등의 특징을 지니면서 내크립성을 개선한
NEW PTFE GASKET으로 기존의 PTFE보다 긴수명을 기대할수 있음

esp GASKET

It is a gasket applied to high purity that is manufactured using E- PTFE and has excellent cushion performance.

초수순 배관에 적용하는 가스켓으로 E-PTFE를 이용하여 제작되어 매우 우수한 쿠션성능을 가지고 있습니다.

- **PRODUCTS SIZE : 15A ~200A**



spl GASKET

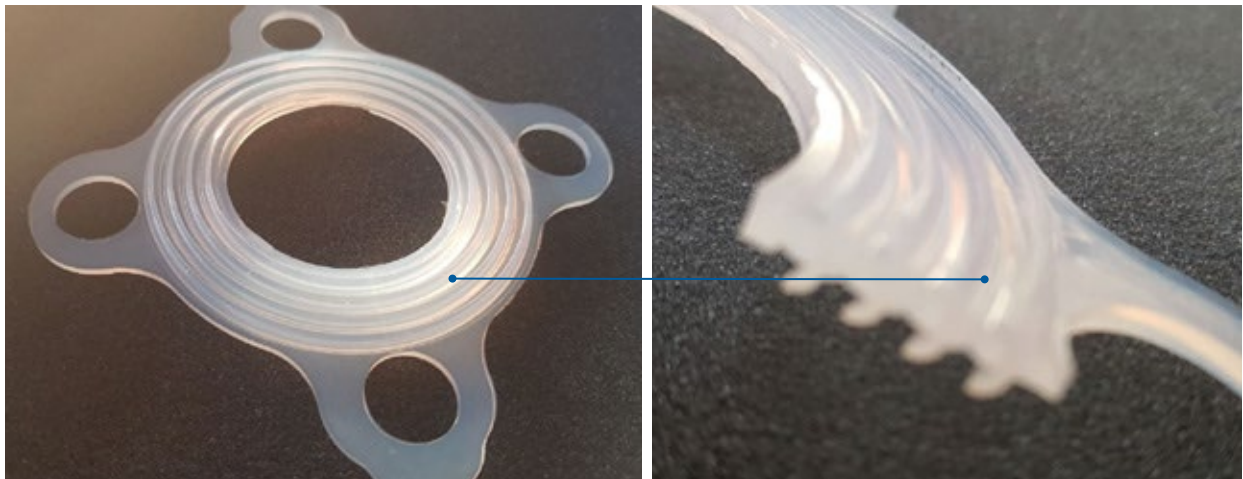
The SPL GASKET produced using the PFA solves the resilience issues that the existing TEFLON GASKET has, so it implements a complete sealing.

SPL GASKET has been granted applications for both domestic and international patents and recognition for its excellence.

PFA를 이용하여 생산되는 SPL GASKET은 기존의 TEFLON GASKET이 가지고 있는 복원력 문제를 해결하여 완벽한 실링을 구현하고 오랜기간 추가 볼트 조임을 하지 않고도 매우 안정적으로 사용이 가능합니다.

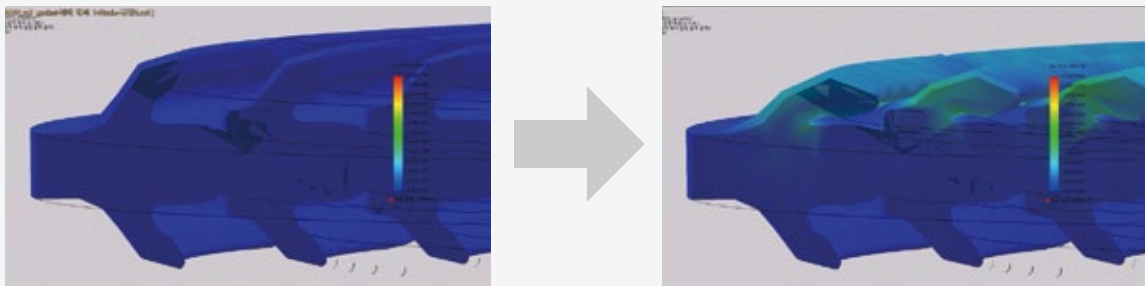
SPL GASKET은 국내 및 해외 특허 출원되어 그 우수성을 인정받았습니다.

• **PRODUCTS SIZE : 15A-100A**



When assembled, it creates an air cushion and physical resilience.

볼트 조임시 아래와 같이 놀림이 발생하여 반대편으로 삽입되어 AIR 쿠션과 물리적 복원력이 발생함.





(주)위온은 독일인증기관인 TUV NORD를
 통하여 품질경영 시스템을 획득하였습니다.

Challenge to the New Technology!



espGASKET

splGASKET

SCOPE OF BUSINESS

- Engineering Service
 (Chemical Plant)
- R & D factory
 (DESIGN / R&D / Outsourcing)
- Chemical facilities Manufacture
 & sales product

PRODUCTS

- LINED TANK & HEAT EXCHANGER
- LINED PIPE & FITTING
- LINED VALVE & AUTO CONTROL VALVE
- BELLOWS & FLEXIBLE HOSE
- GASKET & PACKING
- PFA TUBE & FITTING



54-6, Taejanggongdan-gil, Wonju-si, Gangwon-do, Republic of Korea
 강원도 원주시 태장공단길 54-6
 T. 82-33-743-0203 | F. 82-33-743-0205

ver. 03 / 2023.04.04

**WE WANT TO BUILD UP
 A GOOD PARTNERSHIP
 WITH YOU**